



SPECIALTY WINDOWS

- G2 Product Features
- G4 Specifications
- G5 Parts Identification

G5 Round Top Window

G6 G12 Product Elevations

- G6 Half Round and Extended Half Round Windows
- G7 Quarter Round and Extended Quarter Round Windows
- G8 Elliptical and Extended Elliptical Round Windows
- G9 Half Chord and Extended Half Chord Windows
- G10 Full Chord and Extended Full Chord Windows
- G11 Full Round and Octagon Windows
- G12 Rakehead and Transom Windows

G13 G16 Product Details

- G13 Shaped Window/Wall Connection
- G14 Extended Casement Sashed Shaped Window
- G15 Non Extended Casement Sashed Shaped Window
- G16 Shaped Window



Loewen

Specialty windows are available in **StormForce™**. See Section K for more detailed information.

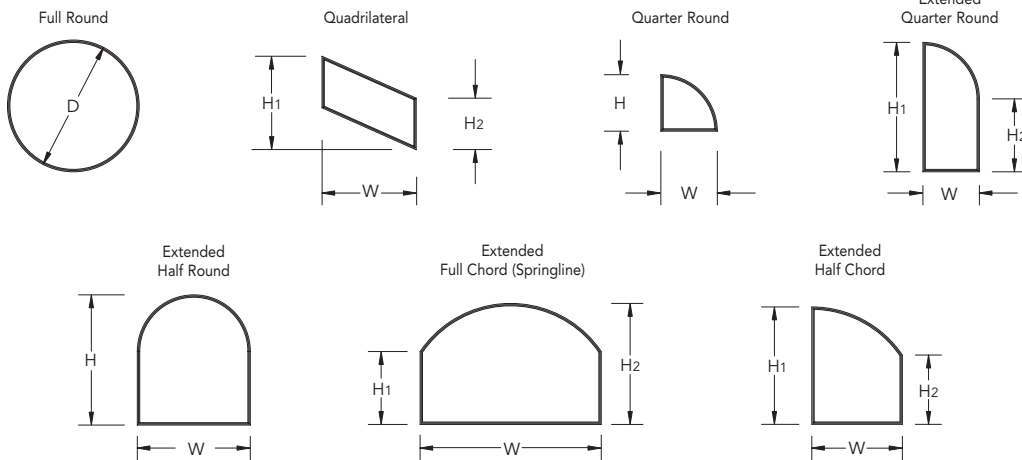




Rakehead Picture window

Loewen

SPECIALTY WINDOWS



PRODUCT FEATURES

STYLES:

Picture, Fixed Casement, Operating Casement, Single Hung, Double Hung, Terrace and French door.

Access windows, Sliding windows and Patio doors are not available as shapes without Loewen drafting approval

SIMULATED DIVIDED LITES (SDL) AND GRILLES:

SDL — 3/4" (19 mm), 1 1/8" (29 mm), 2" (50 mm), Removable Grilles.

GLAZING:

Heat-Smart® 1, 2 and 3, Tranquility®, StormForce™ DP and IP. StormForce™ MP available as clad shaped Fixed Casement.

BRICKMOULD:

2" (50 mm), 3 1/2" (89 mm) and 5 1/2" (140 mm) wood. 2" (50 mm) and 3 1/2" (89 mm) metal.

METAL CLAD COLOR SPECTRUM:

Nine Standard Palette and 27 optional Architectural Palette colors.

HARDWARE:

Hardware and hardware finishes are dependent on hardware choices.

STANDARD FEATURES

- Natural Douglas Fir interior (no visible finger joints)
- Frame construction designed 4 9/16" (116 mm) jamb
- Clear Low E² insulated glazing with 1/2" (12 mm) airspace
- Extruded aluminum cladding in nine standard colors
- Santoprene™ weatherstrip system
- Insect screens available in bronze, sandstone, linen and black

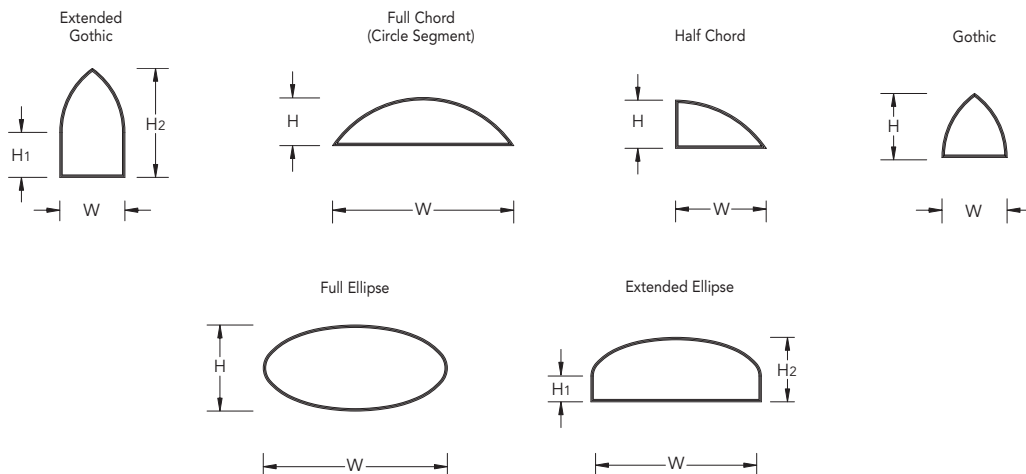


For a more in-depth, comprehensive review of **Product Features**, please refer to the **Miscellaneous section**.



Visit the **Loewen Photo Gallery** online at www.loewen.com/home.nsf/info/gallery for a large collection of Loewen product and elevation photography.

Specifications and technical information are subject to change without notice. Metric and Imperial measurements are converted accurately, however in some cases industry conventions cause a 1 mm variance. (Example: 3/4" is shown as 20 mm for all glass measurements as this is the industry standard.)



All standard window configurations are represented in this **Loewen Architectural Catalog**. Numerous custom opportunities exist — please contact your Authorized Loewen Dealer.



SPECIFICATIONS

FRAME AND SASH

Manufactured from Coastal Douglas Fir kiln-dried lumber with frame construction designed for 4 9/16" (116 mm) jamb. Shapes are manufactured from Fir wood strips, laminated to form a rigid wood frame. All exterior components are factory primed; minor scratches or abrasions are not considered defects.

ALTERNATE SPECIES

The entire Loewen product line is also available in optional Mahogany (*Swietenia macrophylla*) or optional FSC chain of custody certified Douglas Fir (SW-COC-1739).

INTERIOR CASING

A unique manufacturing technique utilizes continuous wood strips, laminated to form a one-piece casing which can be painted or stained to match other wood finishes.

PRESERVATIVE TREATED

All wood parts are dipped in approved preservative.

GLAZING

A wood stop combined with glazing materials ensure a positive seal.

INSULATING GLASS

Double or triple glass configurations with 1/2" (12 mm) airspace.

HEAT-SMART® Plus Systems 1, 2 and 3

Heat-Smart® best describes the benefits of the product that incorporates Low E² coating and argon gas. Heat-Smart® systems help reduce heating and cooling costs, providing superior energy efficiency. StormForce™ DP and IP. StormForce™ MP available as clad shaped fixed Casement.

SIMULATED DIVIDED LITES (SDL) AND GRILLES

Standard SDL come without airspace grille. Optional airspace grille available. Grille bars are permanently applied to the interior and exterior.

Loewen natural clear wood grilles install from the inside of the house and are removable for cleaning.

Note: Optional Grilles

Natural wood grilles will be supplied unless otherwise specified.

DECORATIVE GLAZING DESIGNS:

All products in this catalog are available with decorative glass designs which include etched glass, brass, beveled glass and much more.

METAL CLADDING

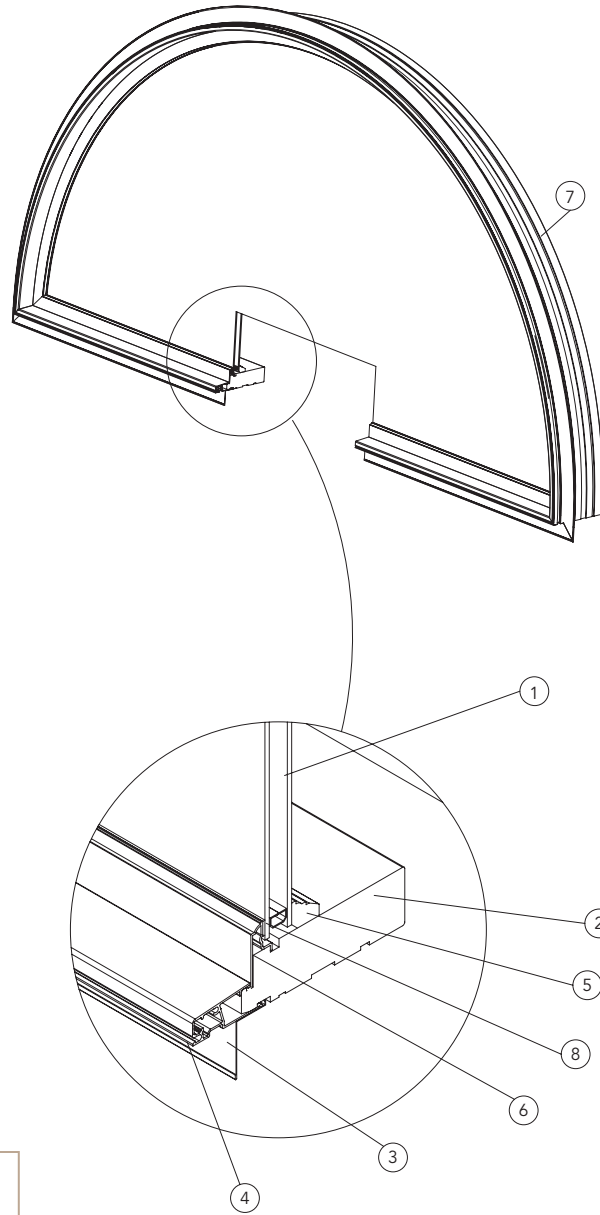
Heavy duty extruded aluminum exterior metal cladding is available in nine Standard Palette and 27 optional Architectural Palette colors. Interior of window remains a natural wood finish as a standard. Metal clad units are supplied ready-to-install complete with nailing flange.

PARTS IDENTIFICATION

ROUND TOP WINDOW

NO. DESCRIPTION

- 1 SEALED UNIT
- 2 SILL
- 3 NAILING FLANGE
- 4 METAL CLADDING
- 5 GLAZING STOP
- 6 GLAZING LEG
- 7 JAMB
- 8 GLAZING TAPE



Note: • This drawing is not to scale. For parts identification only.



Specialty Windows

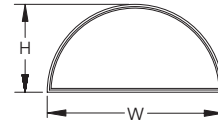
Loewen

G5

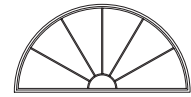
SPECIALTY WINDOW ELEVATIONS

HALF ROUND AND EXTENDED HALF ROUND WINDOWS

HALF ROUND WINDOWS



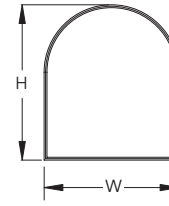
HALF ROUND



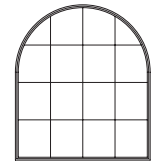
STANDARD
OPTIONAL GRILLE

Unit Sizes				
Imperial			Metric	
Model Number	Unit O.S.M.	Rough Opening	Unit O.S.M.	Rough Opening
RT 0603	23 5/8 X 11 13/16	24 3/8 X 12 9/16	600 X 300	619 X 319
RT 0735	27 9/16 X 13 3/4	28 5/16 X 14 1/2	700 X 350	719 X 369
RT 0804	31 1/2 X 15 3/4	32 1/4 X 16 1/2	800 X 400	819 X 419
RT 0945	35 7/16 X 17 11/16	36 3/16 X 18 7/16	900 X 450	919 X 469
RT 1005	39 3/8 X 19 11/16	40 1/8 X 20 7/16	1000 X 500	1019 X 519
RT 1206	47 1/4 X 23 5/8	48 X 24 3/8	1200 X 600	1219 X 619
RT 1407	55 1/8 X 27 9/16	55 7/8 X 28 5/16	1400 X 700	1419 X 719
RT 1608	63 X 31 1/2	63 3/4 X 32 1/4	1600 X 800	1619 X 819
RT 1809	70 7/8 X 35 7/16	71 5/8 X 36 3/16	1800 X 900	1819 X 919
RT 2010	78 3/4 X 39 3/8	79 1/2 X 40 1/8	2000 X 1000	2019 X 1019
RT 2412	94 1/2 X 47 1/4	95 1/4 X 48	2400 X 1200	2419 X 1219
RT 2613	102 3/8 X 51 3/16	103 1/8 X 51 15/16	2600 X 1300	2619 X 1319
RT 2814	110 1/4 X 55 1/8	111 X 55 7/8	2800 X 1400	2819 X 1419
RT 3015	118 1/8 X 59 1/16	118 7/8 X 59 13/16	3000 X 1500	3019 X 1519

EXTENDED HALF ROUND WINDOWS



EXTENDED
HALF ROUND



STANDARD
OPTIONAL GRILLE

Unit Sizes				
Imperial			Metric	
Model Number	Unit O.S.M.	Rough Opening	Unit O.S.M.	Rough Opening
ER 0810	31 1/2 X 39 3/8	32 1/4 X 40 1/8	800 X 1000	819 X 1019
ER 0812	31 1/2 X 47 1/4	32 1/4 X 48	800 X 1200	819 X 1219
ER 0814	31 1/2 X 55 1/8	32 1/4 X 55 7/8	800 X 1400	819 X 1419
ER 1010	39 3/8 X 39 3/8	40 1/8 X 40 1/8	1000 X 1000	1019 X 1019
ER 1012	39 3/8 X 47 1/4	40 1/8 X 48	1000 X 1200	1019 X 1219
ER 1014	39 3/8 X 55 1/8	40 1/8 X 55 7/8	1000 X 1400	1019 X 1419
ER 1016	39 3/8 X 63	40 1/8 X 63 3/4	1000 X 1600	1019 X 1619
ER 1018	39 3/8 X 70 7/8	40 1/8 X 71 5/8	1000 X 1800	1019 X 1819
ER 1212	47 1/4 X 47 1/4	48 X 48	1200 X 1200	1219 X 1219
ER 1214	47 1/4 X 55 1/8	48 X 55 7/8	1200 X 1400	1219 X 1419
ER 1216	47 1/4 X 63	48 X 63 3/4	1200 X 1600	1219 X 1619
ER 1218	47 1/4 X 70 7/8	48 X 71 5/8	1200 X 1800	1219 X 1819
ER 1414	55 1/8 X 55 1/8	55 7/8 X 55 7/8	1400 X 1400	1419 X 1419
ER 1416	55 1/8 X 63	55 7/8 X 63 3/4	1400 X 1600	1419 X 1619
ER 1418	55 1/8 X 70 7/8	55 7/8 X 71 5/8	1400 X 1800	1419 X 1819
ER 1616	63 X 63	63 3/4 X 63 3/4	1600 X 1600	1619 X 1619
ER 1618	63 X 70 7/8	63 3/4 X 71 5/8	1600 X 1800	1619 X 1819
ER 1818	70 X 70 7/8	71 5/8 X 71 5/8	1800 X 1800	1819 X 1819
ER 2418	94 1/2 X 70 7/8	95 1/4 X 71 5/8	2400 X 1800	2419 X 1819

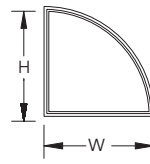
Note: • SDL/Grille patterns are dependent on SDL/Grille type. All patterns shown in this catalog are for illustration purposes only – please verify SDL/Grille patterns before confirming your order.
• All information is subject to HP1 glazing.

• Specialty shape units are available in both Casement and Picture/Direct Set configurations. Additional sizes beyond those shown here are available. Contact your local representative or Loewen Architectural Services for assistance.

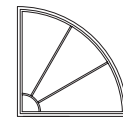
SPECIALTY WINDOW ELEVATIONS

QUARTER ROUND AND EXTENDED QUARTER ROUND WINDOWS

QUARTER ROUND WINDOWS



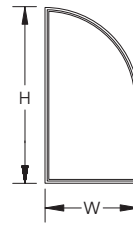
QUARTER ROUND



STANDARD
OPTIONAL GRILLE

Unit Sizes				
	Imperial		Metric	
Model Number	Unit O.S.M.	Rough Opening	Unit O.S.M.	Rough Opening
QR 505	19 11/16 X 19 11/16	20 7/16 X 20 7/16	500 X 500	519 X 519
QR 606	23 5/8 X 23 5/8	24 3/8 X 24 3/8	600 X 600	619 X 619
QR 909	35 7/16 X 35 7/16	36 3/16 X 36 3/16	900 X 900	919 X 919
QR 1010	39 3/8 X 39 3/8	40 1/8 X 40 1/8	1000 X 1000	1019 X 1019
QR 1212	47 1/4 X 47 1/4	48 X 48	1200 X 1200	1219 X 1219
QR 1414	55 1/8 X 55 1/8	55 7/8 X 55 7/8	1400 X 1400	1419 X 1419

EXTENDED QUARTER ROUND WINDOWS



EXTENDED
QUARTER ROUND



STANDARD
OPTIONAL GRILLE

Unit Sizes				
	Imperial		Metric	
Model Number	Unit O.S.M.	Rough Opening	Unit O.S.M.	Rough Opening
EQ 0510	19 11/16 X 39 3/8	20 7/16 X 40 1/8	500 X 1200	519 X 1219
EQ 0512	19 11/16 X 47 1/4	20 7/16 X 48	500 X 1000	519 X 1019
EQ 0612	23 5/8 X 47 1/4	24 3/8 X 48	600 X 1200	619 X 1219
EQ 0614	23 5/8 X 55 1/8	24 3/8 X 55 7/8	600 X 1400	619 X 1419
EQ 0712	27 9/16 X 47 1/4	28 5/16 X 48	700 X 1200	719 X 1219
EQ 0714	27 9/16 X 55 1/8	28 5/16 X 55 7/8	700 X 1400	719 X 1419
EQ 0716	27 9/16 X 63	28 5/16 X 63 3/4	700 X 1600	719 X 1619
EQ 0814	31 1/2 X 55 1/8	32 1/4 X 55 7/8	800 X 1400	819 X 1419
EQ 0816	31 1/2 X 63	32 1/4 X 63 3/4	800 X 1600	819 X 1619
EQ 0818	31 1/2 X 70 7/8	32 1/4 X 71 5/8	800 X 1800	819 X 1819
EQ 0916	35 7/16 X 63	36 3/16 X 63 3/4	900 X 1600	919 X 1619
EQ 0918	35 7/16 X 70 7/8	36 3/16 X 71 5/8	900 X 1800	919 X 1819
EQ 1016	39 3/8 X 63	40 1/8 X 63 3/4	1000 X 1600	1019 X 1619
EQ 1018	39 3/8 X 70 7/8	40 1/8 X 71 5/8	1000 X 1800	1019 X 1819
EQ 1218	47 1/4 X 70 7/8	48 X 71 5/8	1200 X 1800	1219 X 1819
EQ 1418	55 1/8 X 70 7/8	55 7/8 X 71 5/8	1400 X 1800	1419 X 1819

Note:

- SDL/Grille patterns are dependent on SDL/Grille type. All patterns shown in this catalog are for illustration purposes only – please verify SDL/Grille patterns before confirming your order.
- All information is subject to HP1 glazing.

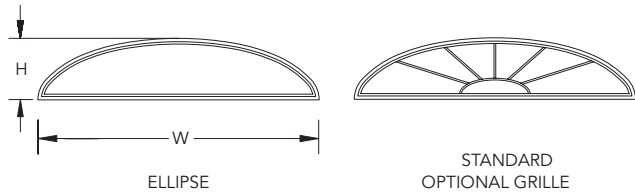
- Specialty shape units are available in both Casement and Picture/Direct Set configurations. Additional sizes beyond those shown here are available. Contact your local representative or Loewen Architectural Services for assistance.



SPECIALTY WINDOW ELEVATIONS

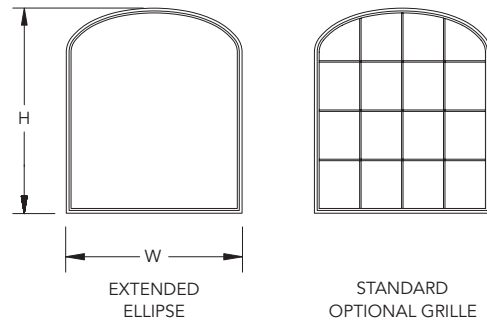
ELLIPTICAL AND EXTENDED ELLIPTICAL ROUND WINDOWS

ELLIPTICAL WINDOWS



Unit Sizes				
Imperial			Metric	
Model Number	Unit O.S.M.	Rough Opening	Unit O.S.M.	Rough Opening
EL 0800	31 1/2 X 9 13/16	32 1/4 X 10 9/16	800 X 250	819 X 269
EL 0900	35 7/16 X 9 13/16	36 3/16 X 10 9/16	900 X 250	919 X 269
EL 1000	39 3/8 X 9 13/16	40 1/8 X 10 9/16	1000 X 250	1019 X 269
EL 1200	47 1/4 X 11 13/16	48 X 12 9/16	1200 X 300	1219 X 319
EL 1400	55 1/8 X 11 13/16	55 7/8 X 12 9/16	1400 X 300	1419 X 319
EL 1600	63 X 13 3/4	63 3/4 X 14 1/2	1600 X 350	1619 X 369
EL 1800	70 7/8 X 13 3/4	71 5/8 X 14 1/2	1800 X 350	1819 X 369

EXTENDED ELLIPTICAL WINDOWS



Unit Sizes				
Imperial			Metric	
Model Number	Unit O.S.M.	Rough Opening	Unit O.S.M.	Rough Opening
EE 0808	31 1/2 X 31 1/2	32 1/4 X 32 1/4	800 X 800	819 X 819
EE 0810	31 1/2 X 39 3/8	32 1/4 X 40 1/8	800 X 1000	819 X 1019
EE 0812	31 1/2 X 47 1/4	32 1/4 X 48	800 X 1200	819 X 1219
EE 1010	39 3/8 X 39 3/8	40 1/8 X 40 1/8	1000 X 1000	1019 X 1019
EE 1012	39 3/8 X 47 1/4	40 1/8 X 48	1000 X 1200	1019 X 1219
EE 1014	39 3/8 X 55 1/8	40 1/8 X 55 7/8	1000 X 1400	1019 X 1419
EE 1212	47 1/4 X 47 1/4	48 X 48	1200 X 1200	1219 X 1219
EE 1214	47 1/4 X 55 1/8	48 X 55 7/8	1200 X 1400	1219 X 1419
EE 1216	47 1/4 X 63	48 X 63 3/4	1200 X 1600	1219 X 1619
EE 1414	55 1/8 X 55 1/8	55 7/8 X 55 7/8	1400 X 1400	1419 X 1419
EE 1416	55 1/8 X 63	55 7/8 X 63 3/4	1400 X 1600	1419 X 1619
EE 1418	55 1/8 X 70 7/8	55 7/8 X 71 5/8	1400 X 1800	1419 X 1819
EE 1616	63 X 63	63 3/4 X 63 3/4	1600 X 1600	1619 X 1619
EE 1818	70 7/8 X 70 7/8	71 5/8 X 71 5/8	1800 X 1800	1819 X 1819

Note:

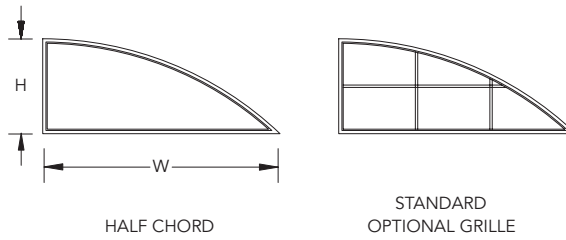
- SDL/Grille patterns are dependent on SDL/Grille type. All patterns shown in this catalog are for illustration purposes only – please verify SDL/Grille patterns before confirming your order.
- All information is subject to HP1 glazing.

- Specialty shape units are available in both Casement and Picture/Direct Set configurations. Additional sizes beyond those shown here are available. Contact your local representative or Loewen Architectural Services for assistance.

SPECIALTY WINDOW ELEVATIONS

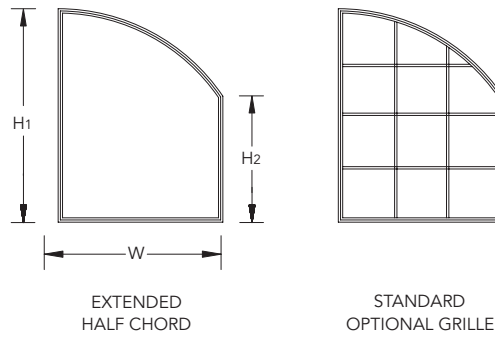
HALF CHORD AND EXTENDED HALF CHORD WINDOWS

HALF CHORD WINDOWS



Unit Sizes				
	Imperial		Metric	
Model Number	Unit O.S.M.	Rough Opening	Unit O.S.M.	Rough Opening
HC 0500	19 11/16 X 9 13/16	20 7/16 X 10 9/16	500 X 250	519 X 219
HC 0600	23 5/8 X 11 13/16	24 3/8 X 12 9/16	600 X 300	619 X 319
HC 0700	27 9/16 X 11 13/16	28 5/16 X 12 9/16	700 X 300	719 X 319
HC 0800	31 1/2 X 13 3/4	32 1/4 X 14 1/2	800 X 350	819 X 369
HC 0900	35 7/16 X 13 3/4	36 3/16 X 14 1/2	900 X 350	919 X 369
HC 1000	39 3/8 X 15 3/4	40 1/8 X 16 1/2	1000 X 400	1019 X 419
HC 1200	47 1/4 X 15 3/4	48 X 16 1/2	1200 X 400	1219 X 419
HC 1400	55 1/8 X 17 11/16	55 7/8 X 18 7/16	1400 X 450	1419 X 469

EXTENDED HALF CHORD WINDOWS



Unit Sizes				
	Imperial		Metric	
Model Number	Unit O.S.M.	Rough Opening	Unit O.S.M.	Rough Opening
EH 0512	19 11/16 X 39 3/8	20 7/16 X 40 1/8	500 X 1000	519 X 1019
EH 0510	19 11/16 X 47 1/4	20 7/16 X 48	500 X 1200	519 X 1219
EH 0612	23 5/8 X 47 1/4	24 3/8 X 48	600 X 1200	619 X 1219
EH 0614	23 5/8 X 55 1/8	24 3/8 X 55 7/8	600 X 1400	619 X 1419
EH 0712	27 9/16 X 47 1/4	28 5/16 X 48	700 X 1200	719 X 1219
EH 0714	27 9/16 X 55 1/8	28 5/16 X 55 7/8	700 X 1400	719 X 1419
EH 0716	27 9/16 X 63	28 5/16 X 63 3/4	700 X 1600	719 X 1619
EH 0814	31 1/2 X 55 1/8	32 1/4 X 55 7/8	800 X 1400	819 X 1419
EH 0816	31 1/2 X 63	32 1/4 X 63 3/4	800 X 1600	819 X 1619
EH 0818	31 1/2 X 70 7/8	32 1/4 X 71 5/8	800 X 1800	819 X 1819
EH 0916	35 7/16 X 63	36 3/16 X 63 3/4	900 X 1600	919 X 1619
EH 0918	35 7/16 X 70 7/8	36 3/16 X 71 5/8	900 X 1800	919 X 1819
EH 1016	39 3/8 X 63	40 1/8 X 63 3/4	1000 X 1600	1019 X 1619
EH 1018	39 3/8 X 70 7/8	40 1/8 X 71 5/8	1000 X 1800	1019 X 1819
EH 1218	47 1/4 X 70 7/8	48 X 71 5/8	1200 X 1800	1219 X 1819
EH 1418	55 1/8 X 70 7/8	55 7/8 X 71 5/8	1400 X 1800	1419 X 1819

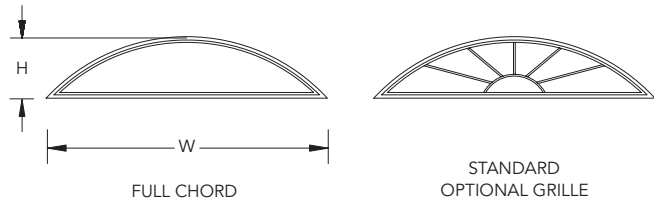
- Note:**
- SDL/Grille patterns are dependent on SDL/Grille type. All patterns shown in this catalog are for illustration purposes only – please verify SDL/Grille patterns before confirming your order.
 - All information is subject to HP1 glazing.
 - Specialty shape units are available in both Casement and Picture/Direct Set configurations. Additional sizes beyond those shown here are available. Contact your local representative or Loewen Architectural Services for assistance.



SPECIALTY WINDOW ELEVATIONS

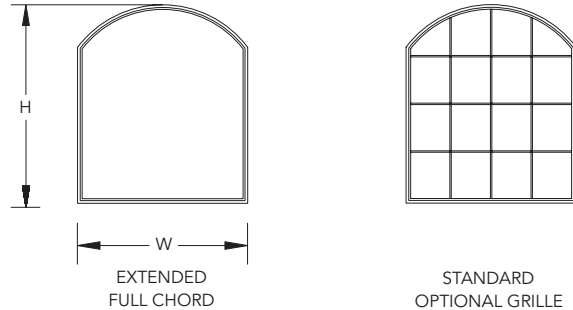
FULL CHORD AND EXTENDED FULL CHORD WINDOWS

FULL CHORD WINDOWS



Unit Sizes				
Imperial			Metric	
Model Number	Unit O.S.M.	Rough Opening	Unit O.S.M.	Rough Opening
FC 0800	31 1/2 X 9 13/16	32 1/4 X 10 9/16	800 X 250	819 X 269
FC 0900	31 1/2 X 9 13/16	36 3/16 X 10 9/16	900 X 250	919 X 269
FC 1000	39 3/8 X 9 13/16	40 1/8 X 10 9/16	1000 X 250	1019 X 269
FC 1200	47 1/4 X 11 13/16	48 X 12 9/16	1200 X 300	1219 X 319
FC 1400	55 1/8 X 11 13/16	55 7/8 X 12 9/16	1400 X 300	1419 X 319
FC 1600	63 X 13 3/4	63 3/4 X 14 1/2	1600 X 350	1619 X 369
FC 1800	70 7/8 X 13 3/4	71 5/8 X 14 1/2	1800 X 350	1819 X 369

EXTENDED FULL CHORD WINDOWS



Unit Sizes				
Imperial			Metric	
Model Number	Unit O.S.M.	Rough Opening	Unit O.S.M.	Rough Opening
EF 0808	31 1/2 X 31 1/2	32 1/4 X 32 1/4	800 X 800	819 X 819
EF 0810	31 1/2 X 39 3/8	32 1/4 X 40 1/8	800 X 1000	819 X 1019
EF 0812	31 1/2 X 47 1/4	32 1/4 X 48	800 X 1200	819 X 1219
EF 1010	39 3/8 X 39 3/8	40 1/8 X 40 1/8	1000 X 1000	1019 X 1019
EF 1012	39 3/8 X 47 1/4	40 1/8 X 48	1000 X 1200	1019 X 1219
EF 1014	39 3/8 X 55 1/8	40 1/8 X 55 7/8	1000 X 1400	1019 X 1419
EF 1212	47 1/4 X 47 1/4	48 X 48	1200 X 1200	1219 X 1219
EF 1214	47 1/4 X 55 1/8	48 X 55 7/8	1200 X 1400	1219 X 1419
EF 1216	47 1/4 X 63	48 X 63 3/4	1200 X 1600	1219 X 1619
EF 1414	55 1/8 X 55 1/8	55 7/8 X 55 7/8	1400 X 1400	1419 X 1419
EF 1416	55 1/8 X 63	55 7/8 X 63 3/4	1400 X 1600	1419 X 1619
EF 1418	55 1/8 X 70 7/8	55 7/8 X 71 5/8	1400 X 1800	1419 X 1819
EF 1616	63 X 63	63 3/4 X 63 3/4	1600 X 1600	1619 X 1619
EF 1618	63 X 70 7/8	63 3/4 X 71 5/8	1600 X 1800	1619 X 1819
EF 1818	70 7/8 X 70 7/8	71 5/8 X 71 5/8	1800 X 1800	1819 X 1819

Note:

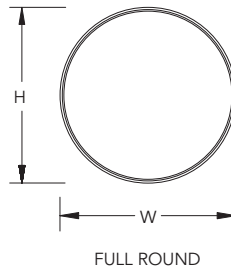
- SDL/Grille patterns are dependent on SDL/Grille type. All patterns shown in this catalog are for illustration purposes only – please verify SDL/Grille patterns before confirming your order.
- All information is subject to HP1 glazing.

- Specialty shape units are available in both Casement and Picture/Direct Set configurations. Additional sizes beyond those shown here are available. Contact your local representative or Loewen Architectural Services for assistance.

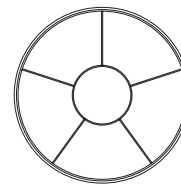
SPECIALTY WINDOW ELEVATIONS

FULL ROUND AND OCTAGON WINDOWS

FULL ROUND WINDOWS



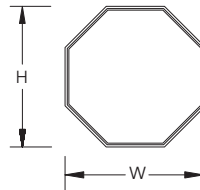
FULL ROUND



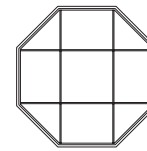
STANDARD
OPTIONAL GRILLE

Unit Sizes				
	Imperial		Metric	
Model Number	Unit O.S.M.	Rough Opening	Unit O.S.M.	Rough Opening
FR 0606	23 5/8 X 23 5/8	24 3/8 X 24 3/8	600 X 600	619 X 619
FR 0808	31 1/2 X 31 1/2	32 1/4 X 32 1/4	800 X 800	819 X 819
FR 0909	35 7/16 X 35 7/16	36 3/16 X 36 3/16	900 X 900	919 X 919
FR 1010	39 3/8 X 39 3/8	40 1/8 X 40 1/8	1000 X 1000	1019 X 1019
FR 1212	47 1/4 X 47 1/4	48 X 48	1200 X 1200	1219 X 1219
FR 1414	55 1/8 X 55 1/8	55 7/8 X 55 7/8	1400 X 1400	1419 X 1419
FR 1616	63 X 63	63 3/4 X 63 3/4	1600 X 1600	1619 X 1619
FR 1818	70 7/8 X 70 7/8	71 5/8 X 71 5/8	1800 X 1800	1819 X 1819

OCTAGON WINDOWS



OCTAGON



STANDARD
OPTIONAL GRILLE

Unit Sizes				
	Imperial		Metric	
Model Number	Unit O.S.M.	Rough Opening	Unit O.S.M.	Rough Opening
OW 0606	23 5/8 X 23 5/8	24 3/8 X 24 3/8	600 X 600	619 X 619
OW 0808	31 1/2 X 31 1/2	32 1/4 X 32 1/4	800 X 800	819 X 819
OW 1010	39 3/8 X 39 3/8	40 1/8 X 40 1/8	1000 X 1000	1019 X 1019

Note:

- SDL/Grille patterns are dependent on SDL/Grille type. All patterns shown in this catalog are for illustration purposes only – please verify SDL/Grille patterns before confirming your order.
- All information is subject to HP1 glazing.

- Specialty shape units are available in both Casement and Picture/Direct Set configurations. Additional sizes beyond those shown here are available. Contact your local representative or Loewen Architectural Services for assistance.

Loewen

Specialty Windows

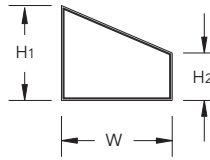
G11

www.loewen.com

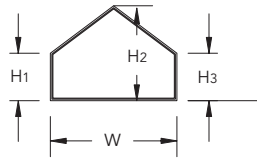
SPECIALTY WINDOW ELEVATIONS

RAKEHEAD AND TRANSOM WINDOWS

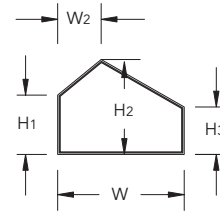
RAKEHEAD WINDOWS



RAKEHEAD



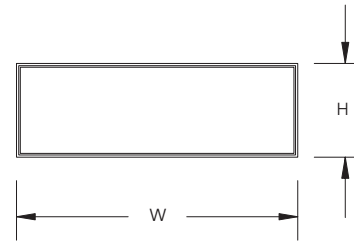
PEAKHEAD



OFFSET PEAKHEAD

When ordering rakehead windows specify the rough opening measurements **as viewed from the outside**.
Measurements should be given clockwise beginning with the sill.

TRANSOM WINDOWS



TRANSOM

Unit Sizes				
Model Number	Imperial		Metric	
	Unit O.S.M.	Rough Opening	Unit O.S.M.	Rough Opening
TR 0403	15 3/4 X 11 13/16	16 1/2 X 12 9/16	400 X 300	419 X 319
TR 0503	19 11/16 X 11 13/16	20 7/16 X 12 9/16	500 X 300	519 X 319
TR 0603	23 5/8 X 11 13/16	24 3/8 X 12 9/16	600 X 300	619 X 319
TR 0703	27 9/16 X 11 13/16	28 5/16 X 12 9/16	700 X 300	719 X 319
TR 7503	29 1/2 X 11 13/16	30 1/4 X 12 9/16	750 X 300	769 X 319
TR 0803	31 1/2 X 11 13/16	32 1/4 X 12 9/16	800 X 300	819 X 319
TR 0903	35 7/16 X 11 13/16	36 3/16 X 12 9/16	900 X 300	919 X 319
TR 1003	39 3/8 X 11 13/16	40 1/8 X 12 9/16	1000 X 300	1019 X 319
TR 1203	47 1/4 X 11 13/16	48 X 12 9/16	1200 X 300	1219 X 319
TR 1403	55 1/8 X 11 13/16	55 7/8 X 12 9/16	1400 X 300	1419 X 319
TR 1603	63 X 11 13/16	63 3/4 X 12 9/16	1600 X 300	1619 X 319
TR 1803	70 7/8 X 11 13/16	71 5/8 X 12 9/16	1800 X 300	1819 X 319

TR 0404	15 3/4 X 15 3/4	16 1/2 X 16 1/2	400 X 400	419 X 419
TR 0504	19 11/16 X 15 3/4	20 7/16 X 16 1/2	500 X 400	519 X 419
TR 0604	23 5/8 X 15 3/4	24 3/8 X 16 1/2	600 X 400	619 X 419
TR 0704	27 9/16 X 15 3/4	28 5/16 X 16 1/2	700 X 400	719 X 419
TR 7504	29 1/2 X 15 3/4	30 1/4 X 16 1/2	750 X 400	769 X 419
TR 0804	31 1/2 X 15 3/4	32 1/4 X 16 1/2	800 X 400	819 X 419
TR 0904	35 7/16 X 15 3/4	36 3/16 X 16 1/2	900 X 400	919 X 419
TR 1004	39 3/8 X 15 3/4	40 1/8 X 16 1/2	1000 X 400	1019 X 419
TR 1204	47 1/4 X 15 3/4	48 X 16 1/2	1200 X 400	1219 X 419
TR 1404	55 1/8 X 15 3/4	55 7/8 X 16 1/2	1400 X 400	1419 X 419
TR 1604	63 X 15 3/4	63 3/4 X 16 1/2	1600 X 400	1619 X 419
TR 1804	70 7/8 X 15 3/4	71 5/8 X 16 1/2	1800 X 400	1819 X 419

Note:

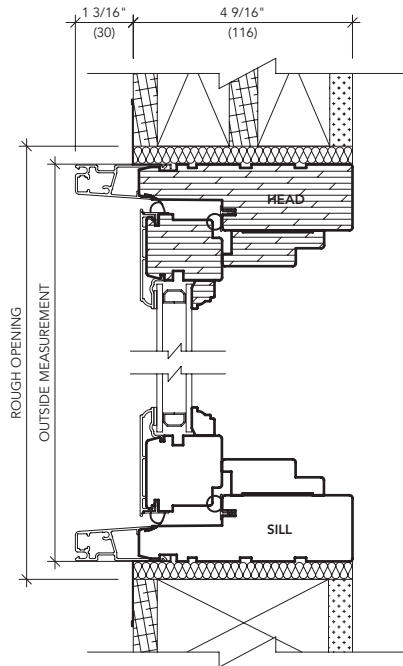
- SDL/Grille patterns are dependent on SDL/Grille type. All patterns shown in this catalog are for illustration purposes only – please verify SDL/Grille patterns before confirming your order.
- All information is subject to HP1 glazing.

- Specialty shape units are available in both Casement and Picture/Direct Set configurations. Additional sizes beyond those shown here are available. Contact your local representative or Loewen Architectural Services for assistance.

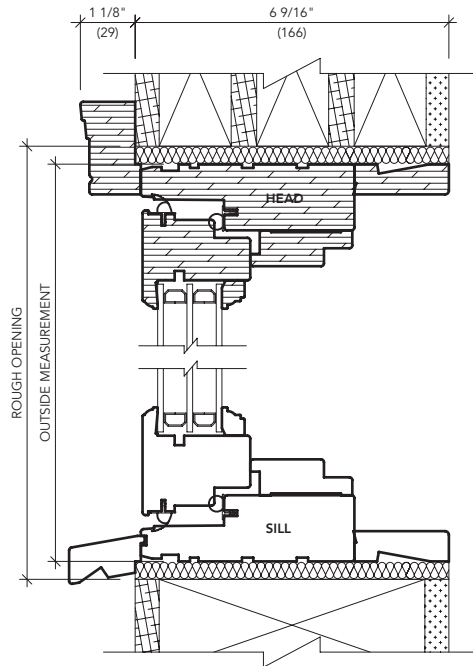
SHAPED WINDOW/WALL CONNECTION DETAIL

HEAD & SILL DETAILS

3" = 1'-0"



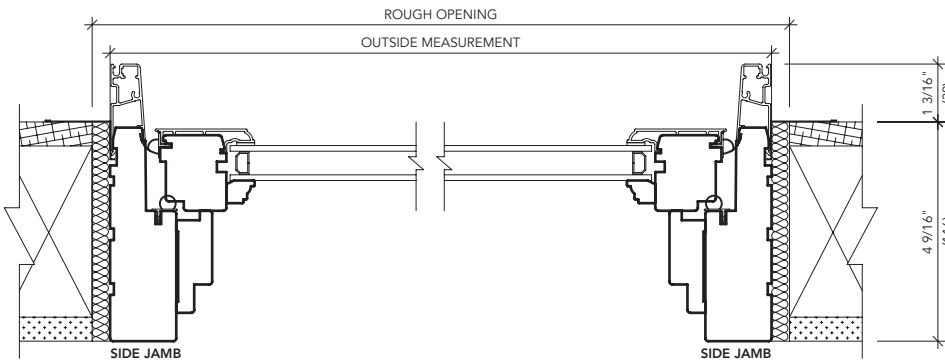
METAL CLAD DOUBLE 4 9/16" (116 mm)



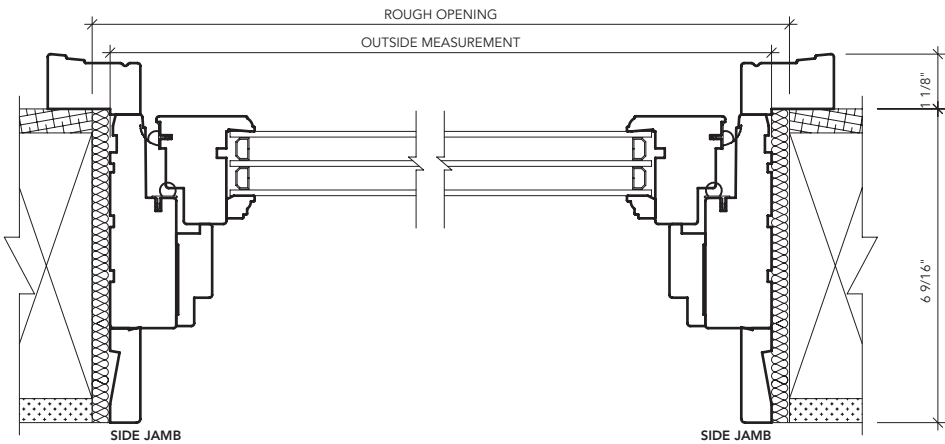
WOOD TRIPLE 6 9/16" (166 mm)

PLAN VIEW – METAL CLAD & WOOD

3" = 1'-0"



METAL CLAD DOUBLE 4 9/16" (116 mm)



WOOD TRIPLE 6 9/16" (166 mm)

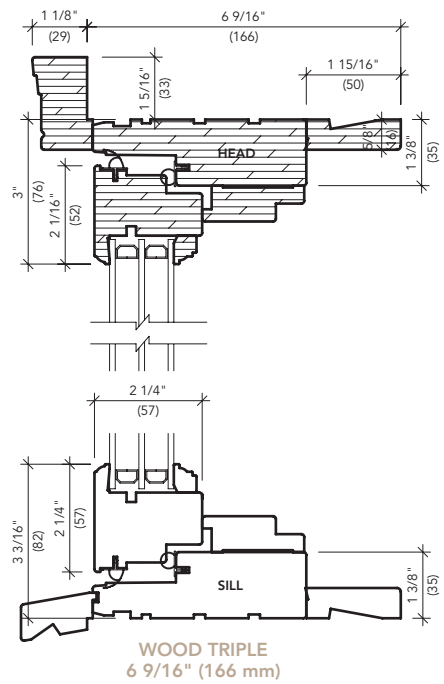
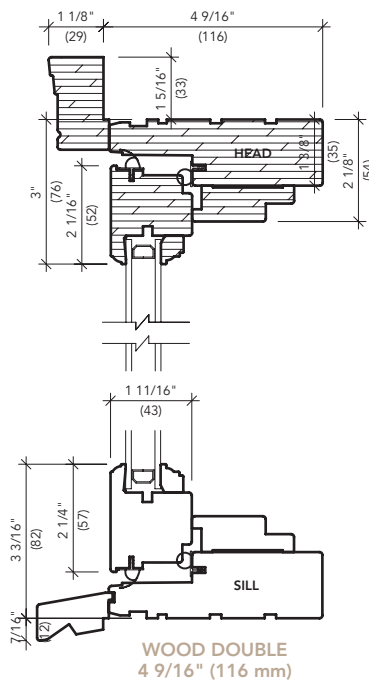
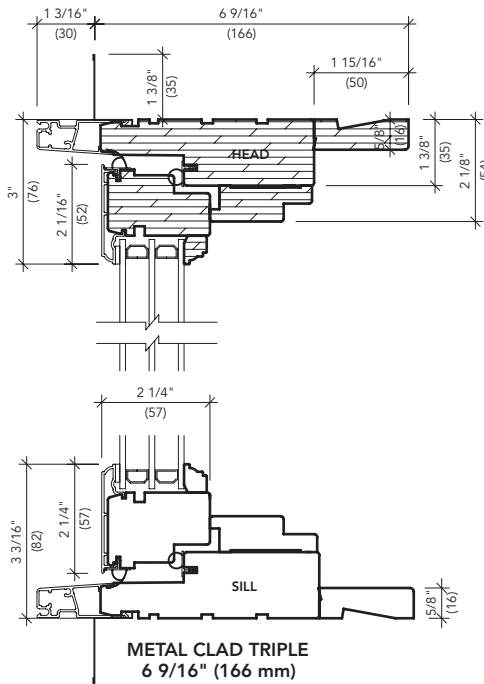
- Note: • Other jamb widths available.
- All dimensions to have +/- 1/16" (2 mm) tolerance.



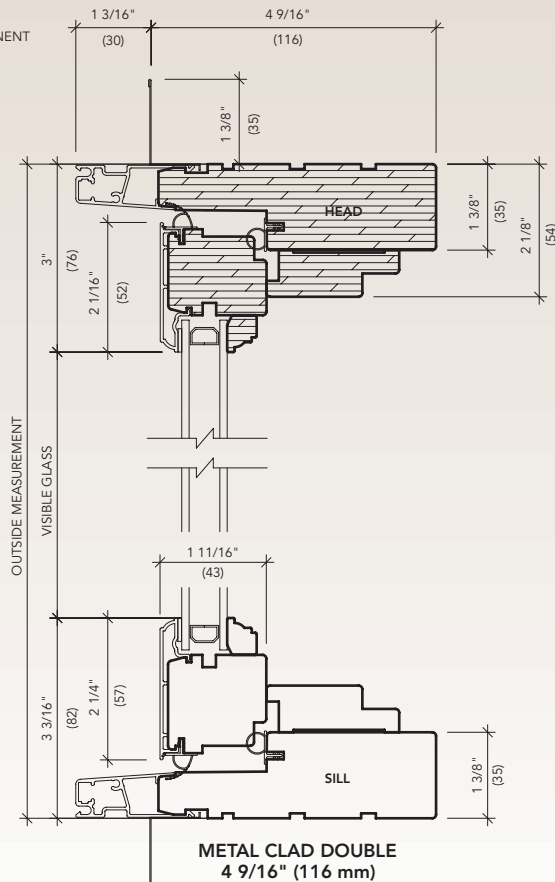
EXTENDED CASEMENT SASHED SHAPED WINDOW DETAILS

HEAD & SILL DETAILS

3" = 1'-0"



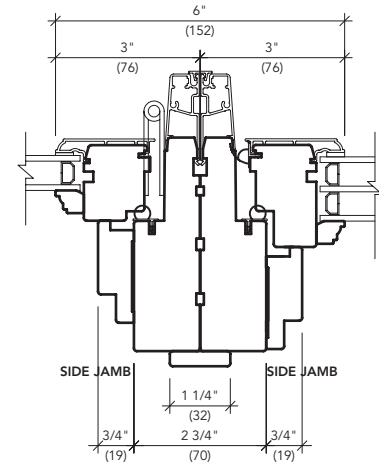
Not to Scale



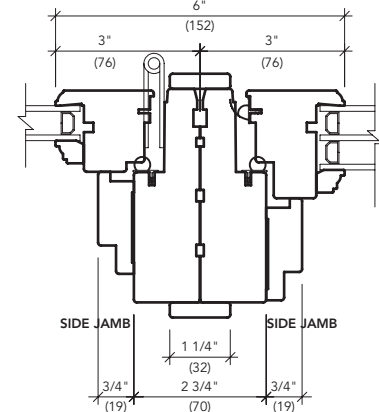
Note: • Other jamb widths available.
• All dimensions to have +/- 1/16" (2 mm) tolerance.

PLAN VIEW

3" = 1'-0"



METAL CLAD



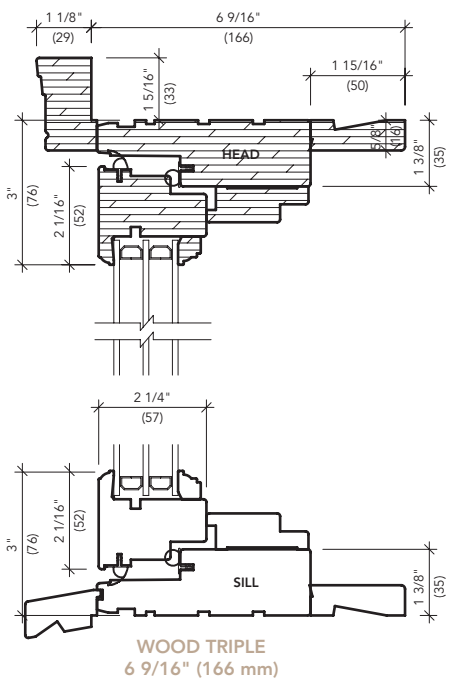
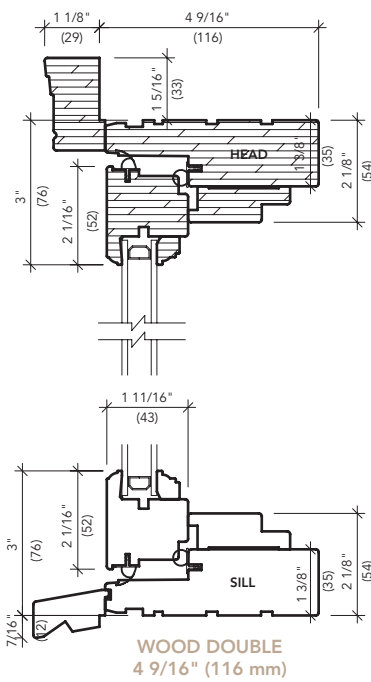
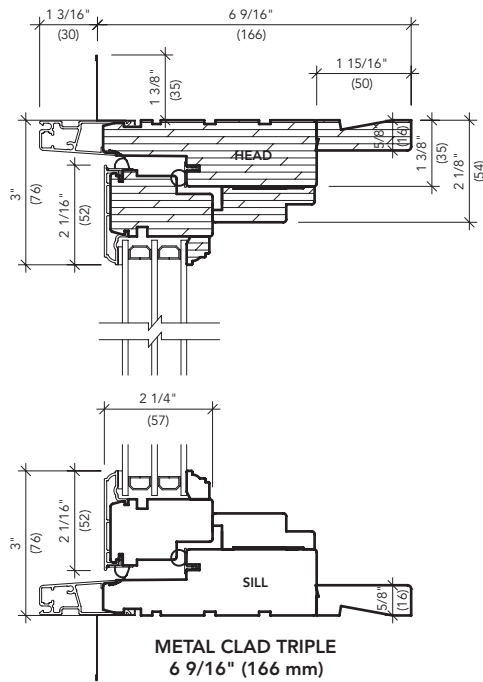
WOOD



NON EXTENDED CASEMENT SASHED SHAPED WINDOW DETAILS

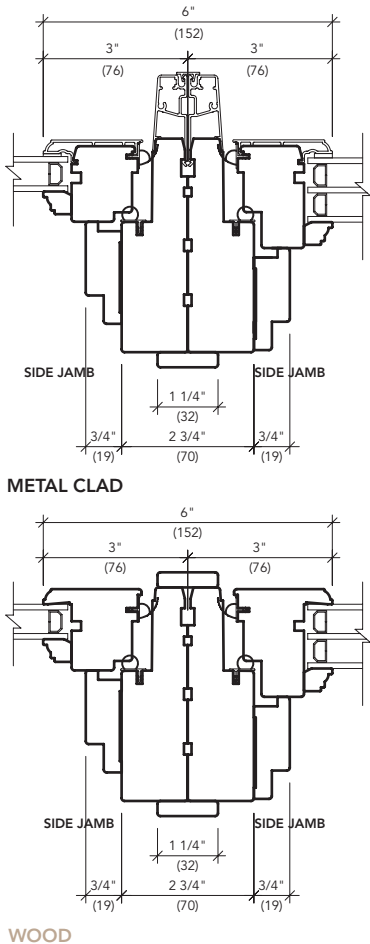
HEAD & SILL DETAILS

3" = 1'-0"

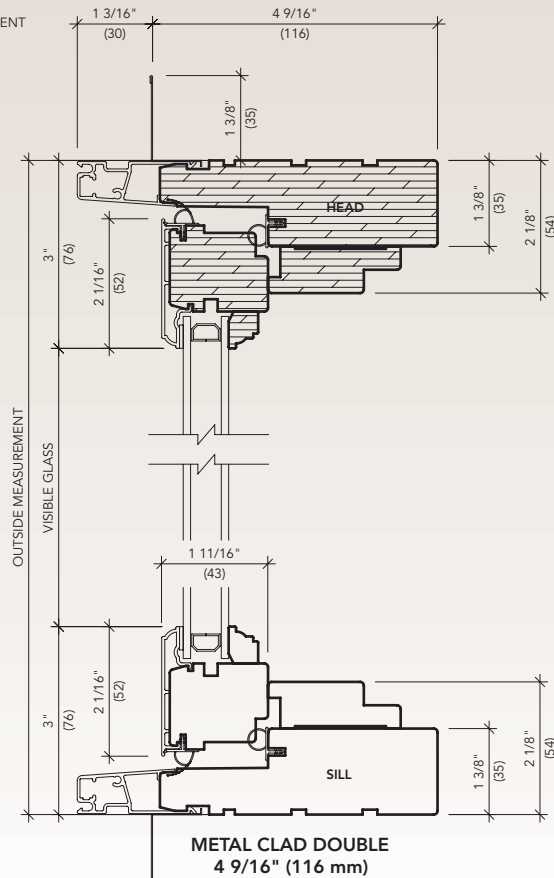


PLAN VIEW

3" = 1'-0"



Not to Scale



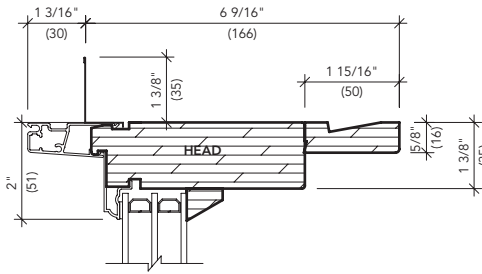
Note: • Other jamb widths available.
• All dimensions to have +/- 1/16" (2 mm) tolerance.



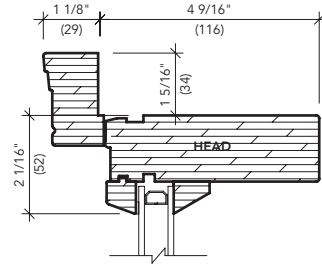
SHAPED WINDOW DETAILS

HEAD & SILL DETAILS

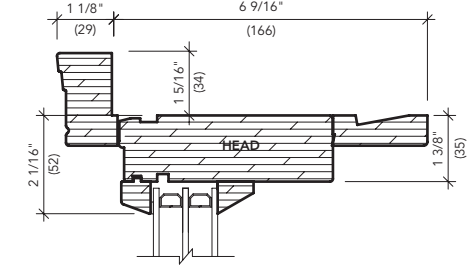
3" = 1'-0"



METAL CLAD TRIPLE
6 9/16" (166 mm)



WOOD DOUBLE
4 9/16" (116 mm)



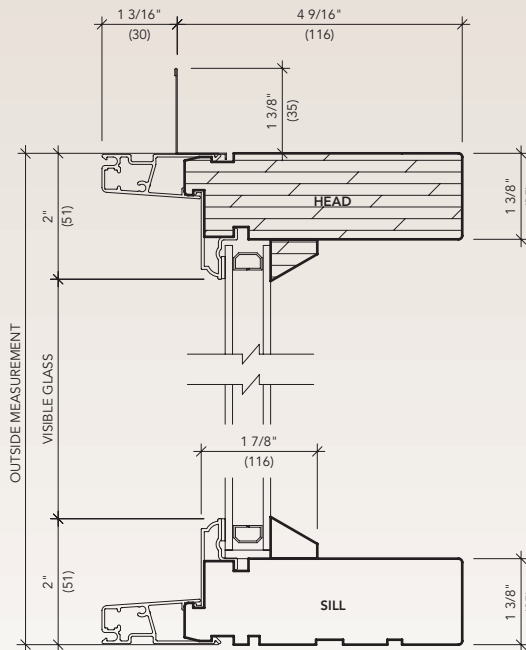
WOOD TRIPLE
6 9/16" (166 mm)



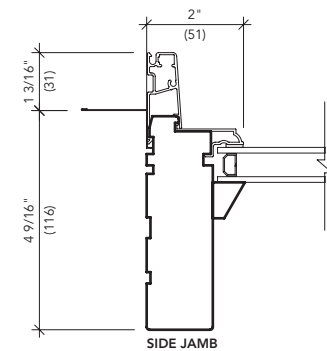
Not to Scale

PLAN VIEW

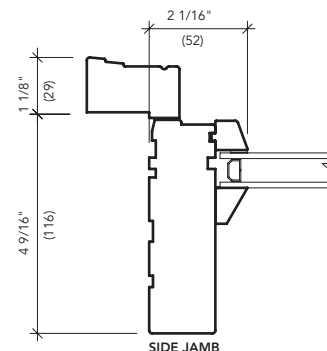
3" = 1'-0"



METAL CLAD DOUBLE
4 9/16" (116 mm)



METAL CLAD



WOOD

Note: • Other jamb widths available.
• All dimensions to have a +/- 1/16" (2 mm) tolerance.

